

Specifications

T62-LC Bike, Kart & ATV

Dyna Pro[®]

Dynamometers

Redefining Industry Standards

Dynamometers & Accessories (EU Specification)

Dyna Pro T62-LC Chassis Dynamometer with Eddy-Brake



Designed and Manufactured in the UK

General Technical Specifications

Maximum Power (Dynamic)	600 hp	Vehicle Type	Bike, Kart, ATV
Maximum Power (Static)	270 hp	Loading Type	Inertia & Eddy Brake
Maximum Torque	500 ft/lb	Minimum Rear Track	60.4 cm (23.78")
Maximum Rear Wheel Speed	200 mph	Maximum Rear Track	150.0 cm (59.05")
Modeled Mass	272 Kg (598 lbs)	Speed Encoder System	Digital
Drive Roller Diameter	45.3 cm (17.83")	Ignition Pick-up	Digital (Intelligent Pri, & Sec)
Drive Roller Width	45.0 cm (17.71")	Data Acquisition System	Digital High Speed USB
Drive Roller Inertia	13.9 Kg/m ²	Length (Without Ramp)	270.4 cm (106.46")
Drive Roller Surface	Knurled (Anti-Corrosion Zinc)	Width	288.8 cm (113.70")
Maximum Bike Length	239.6 cm (94.33")	Height (Deck)	44.9 cm (17.68")
Minimum Bike Length	120.6 cm (47.48")	Height (Overall)	88.4 cm (34.80")
Timing Accuracy	50 nano seconds	Weight (Un-Crated)	1350 Kg (2970 lbs) (Approx.)
Speed Accuracy	0.01 mph	Supply Voltage	190 - 240 Volts ac 50/60 Hz
RPM Accuracy	0.1 rpm	Maximum Supply Current	32 Amps
Calibration	Calibrated/Check Weights	Air Consumption	<1 CFM (120 psi Max)

Standard Hardware Features

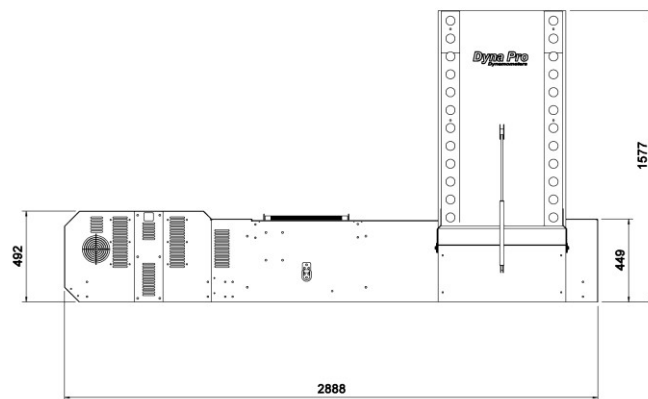
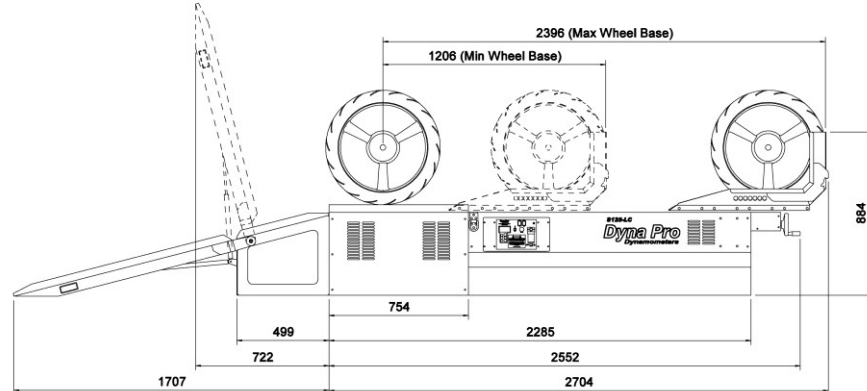
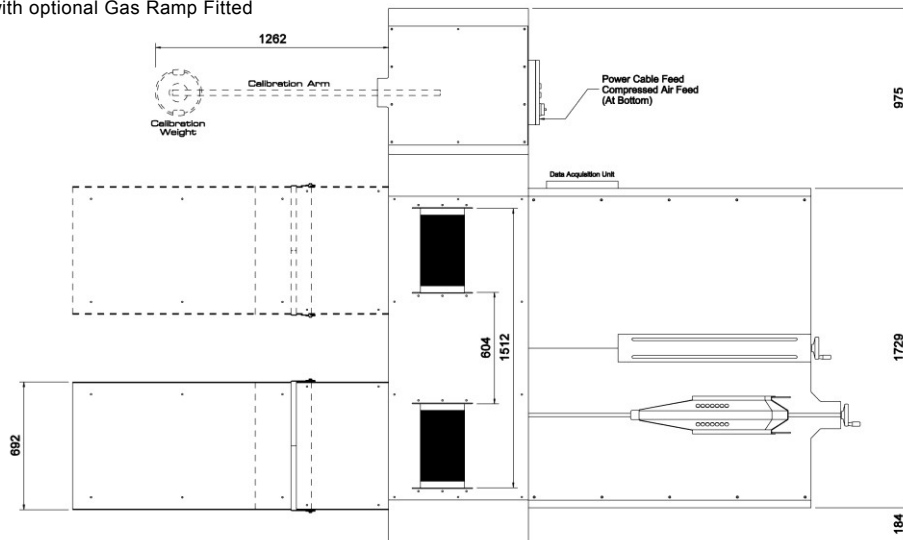
- Eddy Brake with Torque Monitor fitted as standard.
- Eddy brake system fully Closed-Loop with Infrared temperature compensation.
- Fast Dynamic Load Control of Eddy Brake (No user PID control, Self learning)
- Calibration Check Weight and Arm.
- Dyna Run V3 Advanced Windows Software (Software Upgrades Free for life).
- Dynamometer to PC USB Link
- Multi Function Remote Hand Controller.
- Intelligent Ignition Pick-up™ system fitted as standard. (Primary and Secondary)
- Starter System fitted as standard (Also used to calibrate Dynamometer).
- Air Brake System (With emergency lock-down in the event of power failure.)
- 12 Auxiliary 0-5 Volt Data Acquisition Inputs, for connection to additional sensors.
- Machine Construction from 3, 5 & 10mm Precision Laser Cut steel, powder coated finish, Blue & Yellow.
- Designed and Manufactured in the UK
- 1 Day Training (at Dyna Pro Works)
- 2 Year replacement parts warranty.(excluding consumables)

Optional Accessories

- Twin Cooling Fans System (High Speed, High Pressure - Operated from Hand Control Pendant). ***
- Wideband Air Fuel System. (Single Channel, Double Channel and Quad channel). ***
- Weather Station (Temperature, Humidity, Pressure & Relative Air Density). ***
- Gas assisted Loading Ramp. ***
- Keyboard Monitor Shelf. ***
- 4 Channel Type K Thermocouple Unit.
- Ram Air simulation System (Calibrated to road speed).
- Infrared Temperature monitor (up to 500°C).
- Exhaust Extraction Kit.
- Exhaust Arms.
- Carbide Drive Roller Coating.

Dimensions & Clearance

*Dynamometer show with optional Gas Ramp Fitted



Electrical

190-240V ac Single Phase
 Max Current 32 Amps
 Fuse at 32 Amps
 6mm² Minimum Cable size recommended

Air Supply

90 to 120 PSI
 Smaller than 1CFM

Items shown **** above come as standard with the show package deal.

Specifications are correct at time of print, manufacturer's specification subject to change without notice.

Copyright © Dyna Pro Dynamometers Limited 2011

Dyna Pro Dynamometers Ltd

Unit 18, Sherrington Way, Lister Road Industrial Estate, Basingstoke, Hampshire, UK. RG22 4DQ

Tel (UK): 08000 4321 68

Tel (Int.): +44 (0)1256 363063

www.dynapro.co.uk

E-mail: info@dynapro.co.uk