

# Specifications

**Dyna Pro**  
Dynamometers

**S125** (High Inertia)

*Redefining Industry Standards*

## Dynamometers & Accessories (EU Specification)

### Dyna Pro S125 Chassis Dynamometer



Designed and Manufactured in the UK

General Technical Specifications			
Maximum Power (Dynamic)	600 hp	Vehicle Type	Bike
Maximum Torque	500 ft/lb.	Loading Type	Inertia
Maximum Rear Wheel Speed	200 mph	Speed Encoder System	Digital
Modeled Mass	255 Kg (560 lbs.)	Ignition Pick-up	Digital (Intelligent Pri, & Sec)
Drive Roller Diameter	45.3 cm (17.83")	Data Acquisition System	Digital High-Speed USB
Drive Roller Width	45.0 cm (17.71")	Length (Without Ramp)	270.4 cm (106.46")
Drive Roller Inertia	13.0 Kg/m <sup>2</sup>	Width	100.4 cm (39.53")
Drive Roller Surface	Knurled (Anti-Corrosion Zinc)	Height (Deck)	44.9 cm (17.68")
Maximum Bike Length	239.6 cm (94.33")	Height (Overall)	88.4 cm (34.80")
Minimum Bike Length	120.6 cm (47.48")	Weight (Un-Crated)	950 Kg (2090 lbs.) (Approx.)
Timing Accuracy	50 nano seconds		
Speed Accuracy	0.01 mph	Supply Voltage	190 - 240 Volts ac 50/60 Hz
RPM Accuracy	0.1 rpm	Maximum Supply Current	20 Amps
Calibration	Factory Calibrated	Air Consumption	<1 CFM (120 psi Max)

### Standard Accessories

- Dyna Run V4 Advanced Windows Software (Windows 10/11).
- Dynamometer to PC USB Link
- Multi-Function Remote Hand Controller
- Intelligent Ignition Pick-up System (Primary and Secondary Side).
- Starter System fitted as standard (Also used to calibrate Dynamometer).
- Air Brake System (With emergency lock-down in the event of power failure.)
- 12 Auxiliary 0-5 Volt Data Acquisition Inputs, for connection to additional sensors.

### Key Features

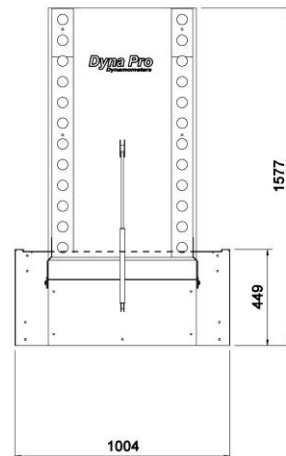
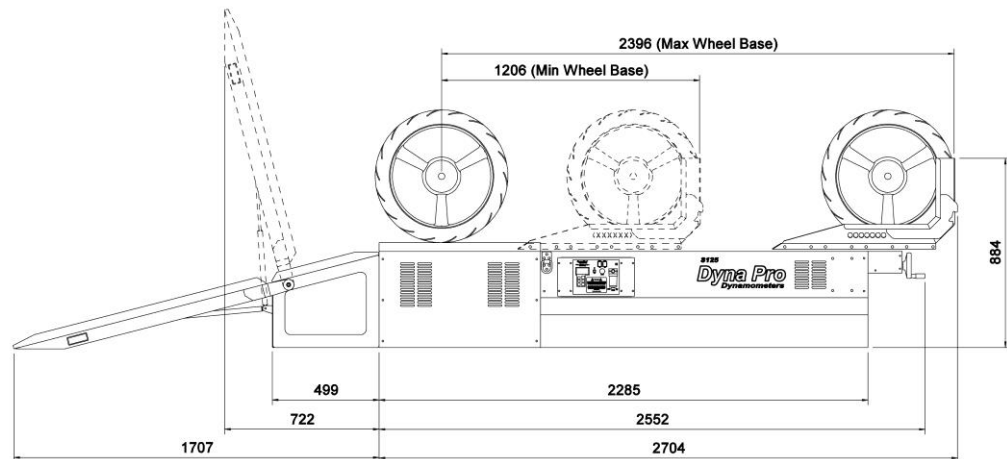
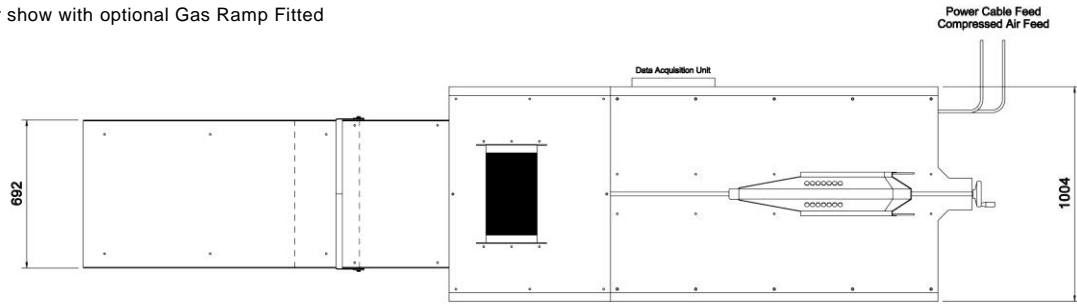
- Machine Construction from 3, 5 & 10mm Precision Laser Cut steel, powder coated finish, Blue & Yellow.
- Dyna Pro has a continuously ongoing Research and Development Program.
- Designed and Manufactured in the UK
- 1 Day Training (at Dyna Pro Works)
- 2 Year replacement parts warranty. (excluding consumables)

### Optional Accessories

- Twin Cooling Fans System (High Speed, High Pressure - Operated from Hand Control Pendant). \*\*\*
- Wideband Air Fuel System. (Single Channel\*\*\*, Double Channel and Quad channel).
- Weather Station (Temperature, Humidity, Pressure & Relative Air Density). \*\*\*
- Gas assisted Loading Ramp. \*\*\*
- Keyboard Monitor Shelf. \*\*\*
- Ram Air simulation System (Calibrated to road speed).
- 4 Channel Type K Thermocouple Unit.
- Exhaust Extraction Kit.
- Exhaust Arms.
- Carbide Drive Roller Coating.
- Infrared Temperature monitor (up to 500°C).

## Dimensions & Clearance

\*Dynamometer show with optional Gas Ramp Fitted



### Electrical

200-240Vac Single Phase  
 Max Current 20 Amps (With Fans)  
 Fuse at 20 Amps  
 2.5mm<sup>2</sup> Minimum Cable size recommended

### Air Supply

90 to 120 PSI  
 Less than 1CFM

Items shown \*\*\*\* above come as standard with the show package deal.

Specifications are correct at time of print, manufacturer's specification subject to change without notice.

Copyright © Dyna Pro Dynamometers Limited 2024

**Dyna Pro Dynamometers Ltd**

Unit 18, Sherrington Way, Lister Road Industrial Estate, Basingstoke, Hampshire, UK. RG22 4DQ

Tel (Int.): +44 (0)1256 363063

[www.dynapro.co.uk](http://www.dynapro.co.uk) E-mail: [sales@dynapro.co.uk](mailto:sales@dynapro.co.uk)